

Lance

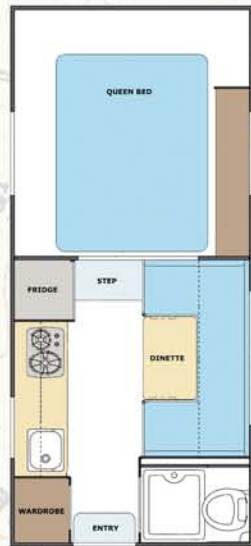
AMERICA'S FAVORITE TRUCK CAMPER™ + NORTH AMERICA'S LARGEST CAMPER MANUFACTURER | SINCE 1965



Lance 2011

825 | 8'6"

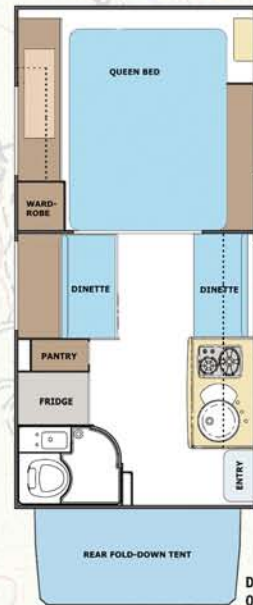
Short bed truck compatible



Dinette bed 36"x72"
Optional bunk bed 26"x72"

830 | 8'11"

Short bed truck compatible



Dinette bed 42"x78"
Optional tent bed 50"x72"

850 | 8'11"

Long bed truck compatible



Dinette bed 36"x72"
Bunk bed 26"x72"

855 | 8'11"

Short bed truck compatible



Dinette bed 36"x72"
Bunk bed 26"x72"

861 | 8'8"

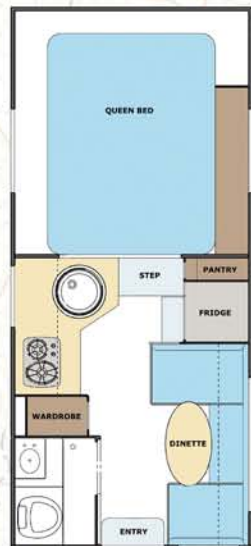
Short bed truck compatible



Dinette bed 40"x64"
Optional bunk bed 30"x64"

865 | 8'7"

Short bed truck compatible



Dinette bed 32"x72"
Bunk bed 26"x72"

950 | 9'11"

Long bed truck compatible



Dinette bed 36"x72"
Bunk bed 26"x72"

**950S
slideout**



Dinette bed 45"x72"
Optional bunk bed 30"x72"

992 | 9'11"

Long bed truck compatible



Dinette bed 51"x72"
Optional bunk bed 30"x72"

1181 | 11'6"

Long bed truck compatible



Dinette bed 40"x72"
Optional bunk bed 30"x72"

1191 | 11'6"

Long bed truck compatible



Dinette bed 51"x72"
Optional bunk bed 30"x72"
Optional tent bed 50"x72"

2011 Lance camper floorplans

**New
for 2011**

The new **Lance 1050S** (slideout model) and **Lance 1050** (non-slideout model) truck campers are lightweight, 10'11" campers with a dry bath – and perfect for any single-rear-wheel truck. The drawers, storage and counter spaces are abundant – and there's plenty of holding tank capacity for extended trips into the great outdoors. Terrific floorplans – coupled with the strength of Lance's LanceLock™ construction – makes these campers an owner's choice.

Compatible with domestic heavy-duty F-250/2500 Series (and larger) single-rear-wheel long bed trucks

Lance 1050 | 1050S



Lance 1050 | Lance 1050S

Lance 1050S (slideout model) | Gold Rush Interior



1050 dinette



1050/1050S cabover



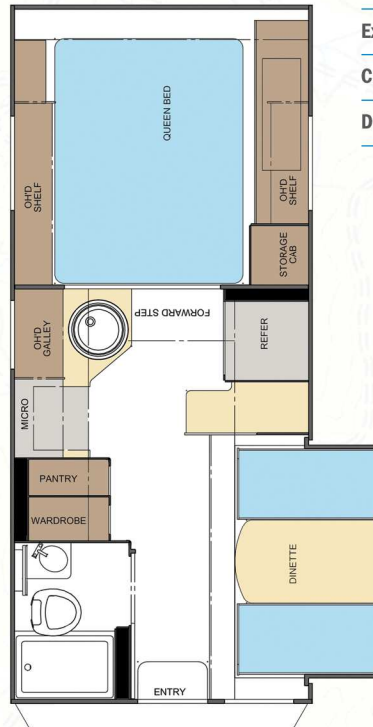
1050S dinette

1050



Dinette bed 36"x72" | Bunk bed 26"x72"

1050S



Dinette bed 45"x72" | Optional bunk bed 30"x72"

	1050	1050S
Interior floor length	10'11"	10'11"
Interior height	81"	81"
Cabover interior headroom	3'5"	3'5"
Truck bed height	8'3"	8'3"
Exterior width	96"	96"
Overall exterior height	9'5"	9'5"
Fresh water tank (US gallons)	30	30
Grey water tank (US gallons)	27	27
Black water tank (US gallons)	22	22
Propane/single-gauge (number of tanks x US gallons)	2 x 5	2 x 5
Refrigerator/three-way power mode (cubic feet)	6 DOUBLE DOOR	6 DOUBLE DOOR
Standard furnace (BTUs - British Thermal Units)	20,000	20,000
Generator	Optional	Optional
Shower/toilet type	Dry bath	Dry bath
Queen cabover + dinette beds	Standard	Standard
Fold-down bunk bed	Standard	Optional
Sleeping capacity - standard / with options	5 / -	4 / 5
Exterior length	17'3"	17'3"
Center of gravity	48"	47"
Dry weight (pounds)	2774	2964



1050/1050S dry bath



1050/1050S galley

basic tech specs

Cabover interior headroom height measured from cabover floor (without mattress) to highest point in cabover ceiling.

Truck bed height measured from camper's truck bed plate to roof (without air conditioning unit, satellite TV antenna or roof storage system) - including the seven inches for the top of roof ladder.

Overall exterior height measured from camper's retracted legs to roof (without air conditioning unit, satellite TV antenna or roof storage system) - including the seven inches for the top of roof ladder.

Center of gravity is the balance point of a base-weight camper (with propane and all fluids except black and grey holding tanks) loaded onto a truck - and is measured from the point of contact (the truck's tail lights) forward towards the truck's cab.

Dry weight based upon standard base model features - not including options or dealer-installed items.

	825	830	850	855	861	865	950	950S	992	1181	1191
Interior floor length	8'6"	8'11"	8'11"	8'11"	8'8"	8'7"	9'11"	9'11"	9'11"	11'6"	11'6"
Interior height	78"	78"	78"	78"	80"	78"	78"	78"	80"	80"	80"
Cabover interior headroom	2'9"	3'2"	3'2"	3'2"	3'8"	2'9"	3'5"	3'5"	3'8"	3'8"	3'8"
Truck bed height	6'11"	8'0"	8'0"	8'0"	8'8"	6'11"	8'3"	8'3"	8'8"	8'8"	8'8"
Exterior width	86"	96"	96"	96"	96"	86"	96"	96"	96"	96"	96"
Overall exterior height	7'6"	9'2"	9'2"	9'2"	9'5"	7'6"	9'5"	9'5"	9'5"	9'5"	9'5"
Fresh water tank (US gallons)	30	30	30	30	30	30	30	30	45	42	35
Grey water tank (US gallons)	11	17	20	20	30	14	20	20	40	30	35
Black water tank (US gallons)	14	19	18	25	33	13	25	25	30	35	35
Propane/single-gauge (number of tanks x US gallons)	1 x 5	1 x 5	2 x 5	2 x 5	2 x 5	1 x 5	2 x 5	2 x 5	2 x 5	2 x 7	2 x 7
Refrigerator/three-way power mode (cubic feet)	3	5 DOUBLE DOOR	5 DOUBLE DOOR	5 DOUBLE DOOR	6 DOUBLE DOOR	3	5 DOUBLE DOOR	5 DOUBLE DOOR	6 DOUBLE DOOR	6 DOUBLE DOOR	6 DOUBLE DOOR
Standard furnace (BTUs - British Thermal Units)	12,000	20,000	20,000	20,000	20,000	12,000	20,000	20,000	20,000	20,000	20,000
Generator	Portable	Portable	Portable	Optional	Optional	Portable	Optional	Optional	Optional	Optional	Optional
Shower/toilet type	Wet bath	Wet bath	Wet bath	Wet bath	Wet bath	Wet bath	Wet bath	Wet bath	Wet bath	Dry bath	Dry bath
Queen cabover + dinette beds	Standard	Standard	Standard	Standard	Standard	Standard	Standard	Standard	Standard	Standard	Standard
Fold-down bunk bed	Optional	N/A	Standard	Standard	Optional	Standard	Standard	Optional	Optional	Optional	Optional
Sleeping capacity - standard / with options	4 / 5	4 / 6	5 / 5	5 / 5	4 / 5	5 / 5	5 / 5	4 / 5	4 / 5	4 / 5	4 / 7
Exterior length	16'3"	16'9"	16'8"	16'8"	16'4"	16'7"	17'8"	17'8"	17'9"	19'7"	20'0"
Center of gravity	45"	43"	62"	42"	43"	46"	49"	48"	50"	39"	43"
Dry weight (pounds)	1755	2322	2310	2364	3070	1830	2595	2785	3413	3650	3580

truck + camper compatibility guide

The following are general guidelines to use when matching a Lance camper to your truck, and assumes standard equipment on both the truck and camper. Whether any camper can be used with your truck is dependent on your truck configuration (2WD vs. 4WD, standard cab vs. extended cab, etc.) and its capacities for carrying and/or towing - how much optional equipment is added to the camper - what you tow - and the weight of passengers and all other items you carry in your truck and camper.

Because we're unfamiliar with your specific truck and how you intend to use it, Lance makes no warranties or representation - express or implied - as to the performance or reliability of your truck with a Lance camper.

For professional guidance, always consult with your Factory Authorized Lance Dealer. They're trained in properly calculating truck/camper packages.

Compatible with domestic F-350/3500 Series (and larger) dually long bed trucks



1181 1191

Compatible with domestic heavy-duty F-250/2500 Series (and larger) single-rear-wheel long bed trucks



850 950 950S 992

Compatible with domestic heavy-duty F-250/2500 Series (and larger) short bed trucks



830 855 861

SHORT BED = MINIMUM SIX-FOOT BED

Compatible with most domestic light-duty F-150/1500 Series (and larger) short bed trucks



825 865

SHORT BED = MINIMUM SIX-FOOT BED

Compatible with import full-size (Toyota® Tundra™/Nissan® Titan™) short bed trucks



825 865

SHORT BED = MINIMUM SIX-FOOT BED

4



Lance 825

Compatible with import full-size (Toyota® Tundra™/Nissan® Titan™) short bed trucks

Compatible with most domestic light-duty F-150/1500 Series (and larger) short bed trucks

Whitewater interior

This high-quality truck camper has **everything** needed to enjoy the outdoors at a modest price, and with less weight. The 2011 Lance 825 is light enough to fit on a Toyota Tundra, Nissan Titan, or F-150/1500 Series short bed (a truck bed with a minimum of six feet). When the weekend calls, you can relax and have fun in your new Lance 825. **Visit LanceCamper.com for more info.**

When the great outdoors calls and you're in need of **two separate sleeping areas and lots of storage**, then the new 2011 Lance 830 is ideal for short bed trucks (which have a minimum bed size of six feet). Built with a European feel and Lance flair for versatility, this camper will transform into a chef's dream galley with extra counter space or a comfortable area to view a movie or watch TV. Storage is always key to choosing the perfect camper. And on a grading scale, we think you'll give the Lance 830 an A+. Visit LanceCamper.com for more info.

Compatible with domestic heavy-duty
F-250/2500 Series (and larger) short bed trucks

Lance 830





Lance 850

Compatible with domestic heavy-duty F-250/2500 Series
(and larger) single-rear-wheel long bed trucks

Gold Rush interior

Have a long bed truck and a heavy load to tow? Then the 2011 Lance 850 is ideal for an owner of a long bed F-250/2500 Series or larger truck. This camper will allow you to tow directly off of your existing truck receiver, so you can **achieve your maximum GCVWR** (gross combined vehicle weight rating) on the truck. The 850 camper has many of the features found in Lance's larger campers. **Visit LanceCamper.com for more info.**

The 2011 Lance 992 is a double-slideout model that has the feel of a much larger camper. The kitchen is fully functional either with the galley slideout retracted or deployed. Counter space is abundant in the 992, and there's ample storage throughout, too. The wet bath design is deceiving – as it actually has more cubic space for a shower than any other camper Lance builds. **Visit LanceCamper.com for more info.**

Hazel

High Glade
Spring

Compatible with domestic heavy-duty F-250/2500 Series
(and larger) single-rear-wheel long bed trucks

Lance 992



Gold Rush interior



Lance 1181

Compatible with domestic F-350/3500 Series
(and larger) dually long bed trucks

Red Rock interior

Space? The 2011 Lance 1181 camper has the most floor space of all Lance campers. Once the full-wall slideout dinette/refrigerator/wardrobe closet is deployed, you'll feel like dancing – and there's room for you to do this. After a dusty trail ride, you'll enjoy the enormous dry bath – where the shower is separate from the toilet area. Then see the cabover's three-quarter-wall hanging wardrobe closet. And taking long items is a snap with a full-across basement storage area that runs the entire width of the camper. Visit LanceCamper.com for more info.

The 2011 Lance 1191 is a **side-entry model** that's excellent for traditional campsite camping or towing. Add the optional fold-down rear tent (with its foam mattress) and dinette bunk bed, and you can actually sleep up to seven people comfortably. The bath area is excellent, the galley is functionally designed and well-appointed, with lots of storage all around. Since introduced in 2005, the 1191 has been used by many full-time RVers.

Visit LanceCamper.com for more info.

Compatible with domestic F-350/3500 Series
(and larger) dually long bed trucks

Lance 1191



	825	830	850	855	861	865	950	950S	992	1181	1191
EXTERIOR											
Laminated fiberglass bonded exterior	S	S	S	S	S	S	S	S	S	S	S
Radius wrapped fiberglass cabover nose	S	S	S	S	S	S	S	S	S	S	S
Acme screw camper jacks	S					S					
Ball screw camper jacks (option 400)	0	S	S	S		0					
Electric remote ball screw camper jacks (option 410)	0	0	0	0	0	0	S	S	S	S	S
Swingout jack brackets (option 420)		0	0	0	0	0	0	0	0	S	S
Aluminum rear bumper with deluxe bumper trim				S	S		S	S	S	S	
Rotomolded rear bumper											S
Foldover step				S	S		S	S	S	S	
Double step	S	S				S					S
Radius torque tinted safety glass windows	S		S	S	S	S	S	S	S	S	S
Radius tinted insulated dualpane sliding windows (option 771)	0		0	0	0	0	0	0	0	0	0
Radius acrylic tinted thermopane Euro windows		S									
Removable pass-through window (option 541)	0	0	0	0	0	0	0	0	S	S	S
Anodized Maggie Rack™ (option 638)	0	S	S	S	S	0	S	S	S	S	S
Heavy-duty, large-diameter-tube, anodized Phat™ ladder (option 638)	0	S	S	S	S	0	S	S	S	S	
Flip-up side-mounted ladder		S									S
Roof rack system (option 640)	0	0	0	0	0	0	0	0	0	0	0
Sealed, waterproof, incandescent tail lights		S	S	S	S	S	S	S	S	S	S
Sealed, waterproof, incandescent backup lights		S	S	S	S	S	S	S	S	S	S
Tail lights with backup	S		S			S					
License plate holder and light	S	S	S	S	S	S	S	S	S	S	S
Radius cornered storage compartment doors	S	S	S	S	S	S	S	S	S	S	S
Radius entry door with window	S	S	S	S	S	S	S	S	S	S	S
Saf-T-Vue™ window (option 540)	0		0	0	0	0	0				
Egress window in cabover	S	S	S	S	S	S	S	S	S	S	S
Roof vent in cabover	S	S				S					
Exit vent in cabover			S	S			S	S			
Heki™ skylight vent in cabover					S				S	S	S
Dual pane skylight over galley		S									
Tent bed with pad (option 150)		0									0
Exterior wash station (option 545)	0	0	0	0	0	0	0	0	0	0	0
Exterior propane connection (option 560)	0	0	0	0	0	0	0	0	0	0	0
Rear wall rollout awning (option 600)	0	0	0	0	0	0	0	0	0	0	0
Slideout cover awning (option 605)							0	0	0	0	0
8-foot rollout awning (option 601)	0		0	0	0	0					
9'4" rollout awning (option 601)							0	0	0		
11'1" rollout awning (option 601)										0	0
9-foot crankout awning (option 602)		0									
CONSTRUCTION + INSULATION											
One-piece TPO (thermoplastic polyolefin) roof	S	S	S	S	S	S	S	S	S	S	S
Laminated and insulated floor, sidewalls, cabover bed and roof	S	S	S	S	S	S	S	S	S	S	S
Block foam insulation throughout	S	S	S	S	S	S	S	S	S	S	S
Insulated battery and propane compartments (option 720)	0	0	0	0	0	0	0	0	0	0	0
Aluminum-framed walls, floor, cabover bed and roof	S	S	S	S	S	S	S	S	S	S	S

	825	830	850	855	861	865	950	950S	992	1181	1191
THE LANCE LOOK™ INTERIOR DESIGN + DECOR											
Whitewater blue interior decor palette (option 15)	0	0	0	0	0	0	0	0	0	0	0
Red Rock terra cotta interior decor palette (option 16)	0	0	0	0	0	0	0	0	0	0	0
Gold Rush ebony interior decor palette (option 17)	0	0	0	0	0	0	0	0	0	0	0
Hardwood framed flat panel cabinet doors	S		S	S	S	S	S	S	S	S	S
Hardwood raised panel overhead cabinet doors						S				S	S
Hollowcore flat panel cabinet doors		S									
Fingertip positive-catch cabinet hardware	S		S	S	S	S	S	S	S	S	S
Push-button positive-catch cabinet hardware		S									
12mm and 15mm Lite-Ply™ cabinet construction	S	S	S	S	S	S	S	S	S	S	S
Cabover access step	S		S	S	S	S	S	S	S	S	S
Valances	S										
Valances with lambrequins			S	S	S	S	S	S	S	S	S
Valances attached to interior window treatment		S									
Mini-blinds in galley	S		S	S	S	S	S	S	S	S	S
Mini-blinds in cabover	S		S	S		S	S	S			
Day/night shades with black-out on cabover windows					S					S	S
Mini-blinds in dinette	S		S	S		S	S	S			
Day/night shades in dinette					S					S	S
Combo screen/shade on windows		S									
Day/night shades in cabover and dinette (option 130)			0	0			0	0			
Entry door pull shade (option 131)	0		0	0	0	0	0	0	0	0	0
Insulated hatch covers (option 730)	0	0	0	0	0	0	0	0	0	0	0
Removable carpet kit (option 125)	0	0	0	0	0	0	0	0	0	0	0
GALLEY/APPLIANCES + EQUIPMENT											
Two-burner range	S	S				S					
Three-burner high-output range with 16-inch oven/cover (option 300)			S	S		0	S	S			S
Three-burner high-output range with 21-inch oven/cover						S				S	S
Convection microwave (option 305)						0				0	0
Microwave oven (option 310)	0	0	0	0	0	0	0	0	0	0	0
Upgraded refrigerator door panels (option 126)	0	0	0	0	0	0	0	0	0	0	0
Dual 15,000/22,000-BTU furnace (option 750)		0	0	0	0	0	0	0	0	0	0
Range hood with light and fan	S	S	S	S	S	S	S	S	S	S	S
Molded galley top		S				S				S	S
Single sink	S	S	S	S		S	S	S			
Double sink						S				S	S
Pantry with adjustable shelves		S	S	S	S	S	S	S	S	S	S
Slide-out pantry (option 210)	0	0	0	0		0	0	0	0	0	0
High-spout galley faucet	S	S	S	S	S	S	S	S	S	S	S
Silverware organizer	S	S	S	S	S	S	S	S	S	S	S
Sink cover (option 215)	0	0	0	0	0	0	0	0	0	0	0
Wood magazine and spice racks (option 220)	0	0	0	0	0	0	0	0	0	0	0

2011 Lance camper standard features + options

THE 2011 LANCE TRUCK CAMPER BROCHURE. ©2010 Lance Camper Manufacturing Corporation (LCMC). All rights reserved. Lance, the Lance logo, "America's Favorite Truck Camper," "RV: Recreational Versatility," "The Most Versatile RVs On The Planet," "America's Favorite Campers - Earth's Most Versatile RVs," The Lance Look, Lance Custom Design, Bed-Maid, LanceLock, Living The Lance Life, SportsCamper and other exclusive Lance taglines, product names, marks or designations are trademarks, service marks or registered trademarks of LCMC. All other marks are property of their respective owners. **All product data, graphics, illustrations and/or photography in this book were as accurate as possible at press time. Subsequent refinements during a model year may be evident in the actual product. LCMC reserves the right to change prices, colors, materials, equipment and specifications without notice - as well as to add, modify or discontinue models shown in promotional materials and/or on its websites.** All weights, fuel and liquid capacities are approximate and dimensions are nominal. LCMC has designed its truck campers to provide a variety of potential users for owners. Each model features optimum living, storage, fluid, seating and sleeping capacities. Though each owner enjoys this potential, ultimately, it's that purchaser's sole responsibility to select the proper Lance camper model and support equipment appropriate to their truck without exceeding safe weight operating capacities. Your Factory Authorized Lance Dealer can advise you of the operating parameters for your particular situation, and can confirm prices and product specifications material to your purchase decision. This book was designed and produced entirely in-house by the Lance Creative Director. Front cover photo shot on-location at Pinnacles National Natural Landmark, Searles Valley, California. Web litho in USA. CS/0710/75M

	825	830	850	855	861	865	950	950S	992	1181	1191
FRESH + WASTE WATER SYSTEMS											
Water pump with in-line filter	S	S	S	S	S	S	S	S	S	S	S
Six-gallon DSI (direct spark ignition) water heater	S	S	S	S	S	S	S	S	S	S	S
Water heater bypass and winterizing valve (option 700)	0	0	0	0	0	0	0	0	0	0	0
Enclosed, insulated and heated holding tanks	S	S	S	S	S	S	S	S	S	S	S
BATHROOM											
Cassette toilet (option 570)	0	0									
Toilet tank flush (option 550)		0	0	0	0		0	0	0	0	0
Medicine cabinet with mirror door		S	S	S	S	S	S	S	S	S	S
Storage cabinet											S
Bath mirror											S
Mirror with door-mounted towel rack											S
Sliding bath door with mirror			S	S	S	S	S	S	S	S	
Curved sliding bath door		S									
Towel rod	S	S	S	S	S	S	S	S	S	S	S
Dual pane skylight	S	S	S	S	S	S	S	S	S	S	S
Ducted heat outlet	S	S	S	S	S	S	S	S	S	S	S
Removable clothes rod (option 230)	0		0	0	0	0	0	0	0	0	0
Power fan		S			S				S	S	S
Roof vent	S	S	S	S	S	S	S	S	S	S	S
DINETTE											
Dinette with reversible cushions	S	S	S	S	S	S	S	S	S	S	S
Rollout storage drawer in dinette (option 200)					0		0	0	0	0	0
Dinette overhead cabinet		S									
Overhead cabinet bunk (option 109)	0	S	S			S					
Bunk bed with child restraint (option 110)					0			0	0	0	0
Child restraint with bunk pad (option 111)	0	0	0		0	0					
Cargo net (option 112)	0	0	0		0	0					
Fold-down dinette (option 122)				0			0	0	0	0	0
CABOVER + SLEEPING ACCOMMODATIONS											
Cabover twin beds (option 102)	0	0	0	0	0	0	0	0	0	0	0
Deluxe queen innerspring mattress with pillow top (option 105)	S	S	S	S	S	S	S	S	S	S	S
Bedsprad	S	S	S	S	S	S	S	S	S	S	S
Headboard		S	S	S	S		S	S	S	S	S
Cabover reading lights	S	S	S	S	S	S	S	S	S	S	S
Side overhead open wire shelves	S	S	S	S	S	S	S	S	S	S	S
Cabover privacy curtain		S	S	S	S	S	S	S	S	S	S
Cabover folding privacy door (option 132)					0			0	0	0	0
Ducted heat outlet in cabover			S	S		S		S	S	S	S
Carpeted cabover bed	S	S	S	S	S	S	S	S	S	S	S
Insulated bed pad (option 725)	0	0	0	0	0	0	0	0	0	0	0
Mirrored wardrobe cabinet with window in curbside cabover					S				S	S	S

The Lance factory in Southern California's sunny Antelope Valley



	825	830	850	855	861	865	950	950S	992	1181	1191
ELECTRICAL											
Systems monitor panel	S	S	S	S	S	S	S	S	S	S	S
LED battery condition indicator	S	S	S	S	S	S	S	S	S	S	S
Single battery compartment	S	S	S	S		S	S	S			
Second battery compartment (option 556)		0	0	0	S		0	0	S	S	S
Battery disconnect	S	S	S	S	S	S	S	S	S	S	S
Battery separator (option 555)	0	0	0	0	0	0	0	0	0	0	0
Fluorescent lighting (single fixture)		S	S	S			S	S			
Fluorescent lighting (two fixtures)					S					S	S
Incandescent lighting	S	S	S	S	S	S	S	S	S	S	S
Wall switched lighting					S					S	S
Wardrobe light (option 225)	0	0	0	0	0	0	0	0	0	0	0
12-volt DC outlet in dinette (option 226)	0	0	0	0	0	0	0	0	0	0	0
Pre-wired for roof air conditioner	S	S	S	S	S	S	S	S	S	S	S
Coleman® 9000-BTU low-profile AC with ceiling control (option 386)	0	0	0	0	0	0	0	0	0	0	0
Coleman® 11,000-BTU AC with wall control (option 389)		0	0	0	0		0	0	0	0	0
Pre-wired for wall thermostat		S	S	S	S		S	S	S	S	S
Pre-wired for Fan-Tastic® roof vent	S	S	S	S	S	S	S	S	S	S	S
Fan-Tastic® roof vent (option 370)	0	0	0	0	0	0	0	0	0	0	0
Pre-wired for TV antenna, satellite dish and park cable	S	S	S	S	S	S	S	S	S	S	S
Self-locating satellite dish (option 362)	0	0	0	0	0	0	0	0	0	0	0
Satellite dish (option 360)	0	0	0	0	0	0	0	0	0	0	0
Pre-wired for stereo and speakers	S	S	S	S	S	S	S	S	S	S	S
AM/FM/CD stereo w/HDTV antenna + int/ext speakers (option 340)	0	0	0	0	0	0	0	0	0	0	0
LCD TV with DVD player (option 342)	0	0	0	0	0	0	0	0	0	0	0
Stereo ready with int/ext speakers and HDTV antenna (option 344)	0	0	0	0	0	0	0	0	0	0	0
Pre-wired for solar panel	S	S	S	S	S	S	S	S	S	S	S
Solar panel (option 510)	0	0	0	0	0	0	0	0	0	0	0
Switched patio light	S	S	S	S	S	S	S	S	S	S	S
Side patio lights (option 530)	0	0	0	0	0	0	0	0	0	0	0
Docking lights (option 532)	0	0	0	0	0	0	0	0	0	0	0
Wireless remote slideout control					S				S	S	S
Exterior 110-volt AC patio outlet (option 565)	0	0	0	0	0	0	0	0	0	0	0
Generator ready					S			S	S	S	S
Generator (option 330)					0			0	0	0	0
Backup camera (option 528)	0	0	0	0	0	0	0	0	0	0	0
SAFETY EQUIPMENT											
Propane leak and carbon monoxide detector	S	S	S	S	S	S	S	S	S	S	S
Smoke detector	S	S	S	S	S	S	S	S	S	S	S
Fire extinguisher	S	S	S	S	S	S	S	S	S	S	S

Lance provides a limited warranty to the original owner (purchaser) of a new 2011 Lance camper to be free of defects in materials, workmanship and structural integrity (under normal use with reasonable care and routine prescribed maintenance) for a period of one year from the date of purchase – subject to exclusions for vendor-made parts and components.





4



5



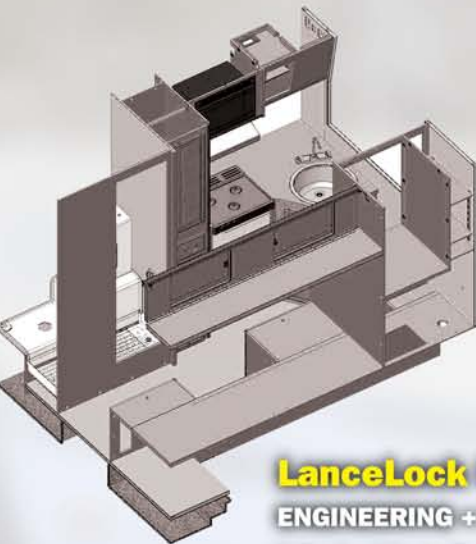
6



3



2



LanceLock Phase I

ENGINEERING + DESIGN

Interlocking structural Solid-Ply® cabinetry



7



8

LanceLock Phase II

FABRICATION + ASSEMBLY

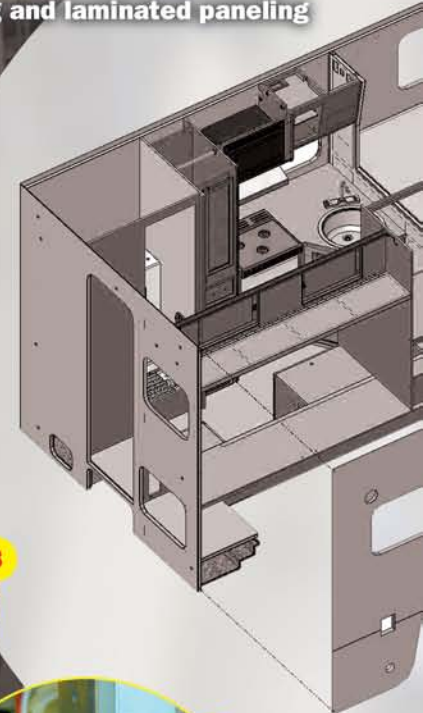
Interlocking welded aluminum framing and laminated paneling



9



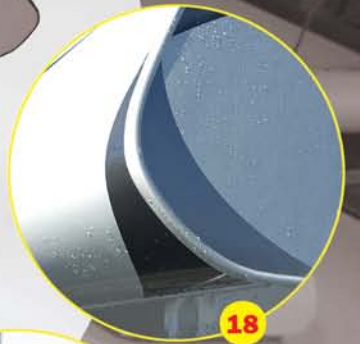
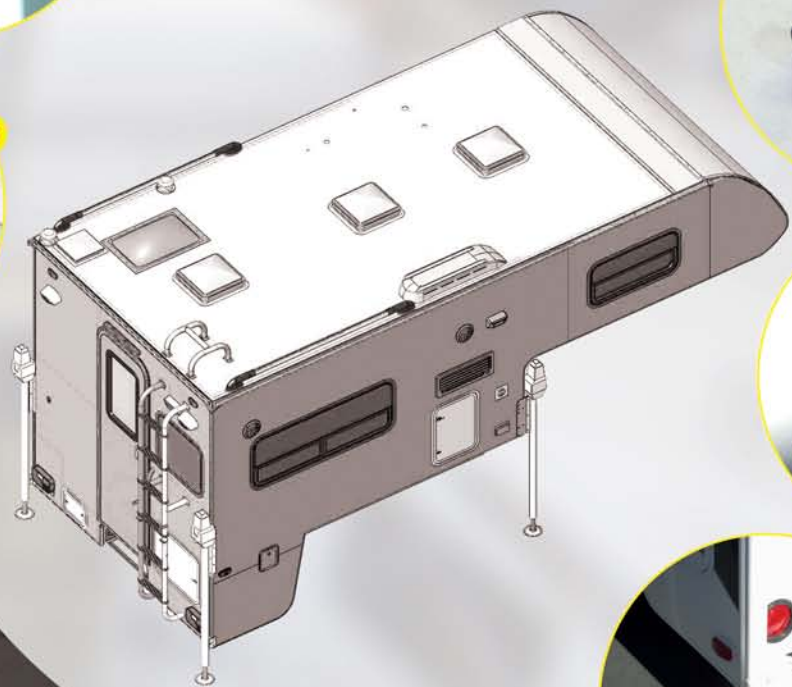
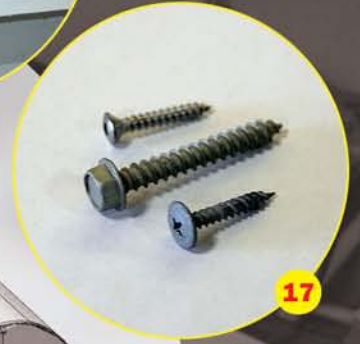
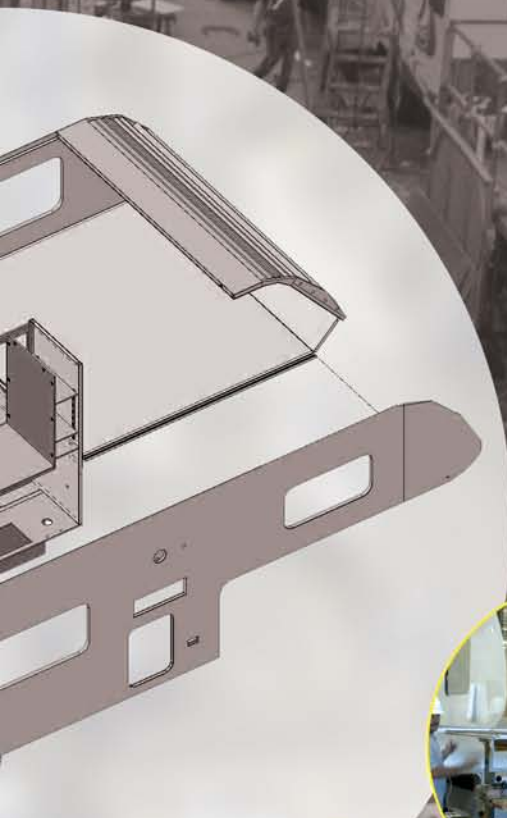
Sewer valve



THE LANCELOCK™ PROCESS | 1 Computer-aided designs are generated in Product Development | 2 Computed numerically controlled (CNC) machines cut and rout structural paneling to ensure uniformity and tight-tolerance fit | 3 Imported from Europe, Solid-Ply® interlocking solid wood cabinetry provides sturdy structural integrity, and lasting durability and beauty | 4 Fingertip-positive latches on cabinetry prevent contents from spilling out | 5 Full-extension drawer slides use metal rails and ball bearings | 6 Structural paneling is laminated under intense pressure using special heat-set adhesives | 7 .060-inch-thickness aluminum tubing (coated with Alodine® to help protect against corrosion) is welded into incredibly strong framing | 8 Solid block foam offers four-season insulation |

LanceLock™

is the exclusive process we design and construct RVs for strength and durability using interlocking aluminum framing, laminated paneling, and structural cabinetry.



LanceLock Phase III

EXTERIOR SEALS, FINISH + FINAL INSPECTION

9 Interlocking metal beams transition wings to risers in the wall construction | **10** Sub-floor basement areas and sewer valves are heated to prevent freezing | **11** Sidewalls are hung and secured within the LanceLock construction process | **12** The cabover section uses an interlocking extrusion to fit the floor in a tongue-in-groove fashion | **13** Electrical wiring is protected by tubing and wire grommets | **14** Steel tie-down brackets | **15** Roof vents use no screws to prevent water intrusion | **16** Jack mounts are bolted through steel plate hardware fastened on both the inside and outside of the coach | **17** Costly stainless steel and Everlube®-coated fasteners resist corrosion | **18** Lance's double-sealants protect your investment | **19** A sewer hose tray within the aluminum bumper |

selected optional features + highlights



Generator

Insulated hatch and vent covers



Rear fold-down tent with foam mattress



Bunk bed with child restraint



Twin beds



Exterior propane connectors



Roof rack system



Solar panel



Installation of these support equipment systems by your Factory Authorized Lance Dealer is highly recommended to ensure you receive **The Ultimate Ride**. Experience a dramatic improvement in the drivability and handling of your truck and camper package – in any weather, on any road.

dealer-installed equipment



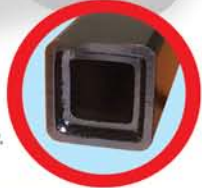
Wireless rear-view camera/monitor maximizes safety



When not towing loads that require an extended hitch, included in Reese's Tow Beast system is a reducer sleeve, which you use to reconnect the hitch ball and draw bar to the receiver hitch.



The 48-inch Reese Tow Beast hitch box extension ("tow bar") is constructed with a heavy steel tube inside another steel tube – welded together – to dramatically increase strength and towing capacity.



Within Air Lift's Super Duty air springs ("air bags") are the Lance-exclusive internal jounce bumpers



Happijac Qwik-Load™ turnbuckle upgrades make anchoring your camper a snap

4

8



Lance-exclusive cabover shocks ("cabover struts") have quick-release stainless steel connectors



- 1 Reese® Tow Beast™ Class V hitch/extension system increases your towing capabilities over your truck's factory-stock hitch.
- 2 Wireless rear-view camera/microphone and seven-inch in-cab LCD monitor lets you see – and hear – what's behind you.
- 3 Happijac® frame-mount anchoring system and front-mounted centering guides assist with center alignment within the truck bed.
- 4 Happijac Qwik-Load™ front and rear turnbuckles safely and securely attach and anchor the camper to your truck.
- 5 Air Lift® Super Duty™ air springs ("air bags") increase stability and levels the rig by transferring rear axle load forward.
- 6 Rancho® RS-9000X™ front and rear shocks greatly improve ride in all weather and road conditions.
- 7 Air Lift Wireless Air™ in-cab remote control controls the air compressor and pressure for the air springs ("air bags") and shocks.
- 8 Lance Custom Design™ cabover shocks ("cabover struts") reduce the impact of up-and-down motion from irregular roads.
- 9 Rear-mounted centering guides assist in positioning your camper within the truck bed, and are available for most truck models.

One of the many advantages of choosing a Lance truck camper as your RV is the ability to tow all your toys

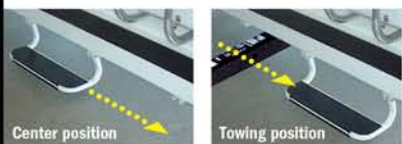


When towing items behind larger Lance camper models, extending the hitch from the truck rearward to the camper bumper is necessary. (See chart at right for towing capacities of all models.)

The method Lance recommends involves a truck-mounted Class V receiver hitch and hitch box extension (as detailed in the 3-D view photos on the dealer-installed equipment section on page 15 inside). A draw bar with hitch ball is inserted into the hitch box extension, the same way it would be inserted into the receiver hitch itself.

Reese manufactures the Tow Beast Class V receiver hitch and hitch box extension specifically for truck camper applications. It replaces standard truck factory-stock receivers to allow for a greater towing capacity over factory-stock hitch systems.

The other important benefit is that the Reese Tow Beast Class V system doesn't require you to attach the receiver hitch or hitch box extension to the camper. The hitch box extension can be in place when loading or unloading your camper - and the rear step can be moved to allow room for the hitch (see pictures at left). For very heavy loads, the hitch box extension in combination with a weight-equalizing hitch can be used. The chart at the right gives capacities for Reese hitches.



Always observe your truck's tow ratings - and the advice of your Factory Authorized Lance Dealer. Their service teams have the knowledge, experience and skill to outfit your rig correctly.

Undercarriage of a Lance camper with a Reese Tow Beast hitch/extension system highlighted



Trailer wiring harness plug

Trailer wiring harness

Safety chains

Hitch box extension ("tow bar")

Class V receiver hitch attached to underside of truck



Tow capacities for Lance models requiring only a Reese Tow Beast® Class V receiver hitch

	Weight carrying/ tongue weight	Weight distributing/ tongue weight
Lance 850	12,000 pounds/ 1200 pounds	14,000 pounds/ 1400 pounds

Tow capacities for Lance models requiring both a Reese Tow Beast® Class V receiver hitch and hitch box extension

	Weight carrying/ tongue weight	Weight distributing/ tongue weight	Length of cut extension
Lance 825			24"*** A universal heavy-duty 34" or 48" factory-stock Reese extension is cut down by a technical service professional to fit your particular application.
Lance 830			
Lance 855			
Lance 861	6000 pounds/ 600 pounds	8000 pounds/ 800 pounds	
Lance 865			
Lance 950			
Lance 950S			41"***
Lance 992			
Lance 1181	5000 pounds/ 500 pounds	7500 pounds/ 750 pounds	
Lance 1191			

*Dealer modifications required. Consult your Factory Authorized Lance Dealer for professional technical advice and proper equipment installation. All above weights, dimensions and capacities are approximate values - and subject to change without notice. All measurements are based on an 8.75-inch standard drop ball mount. Some capacities may vary depending on vehicle application. Be safe - always consult with your Lance Dealer beforehand.